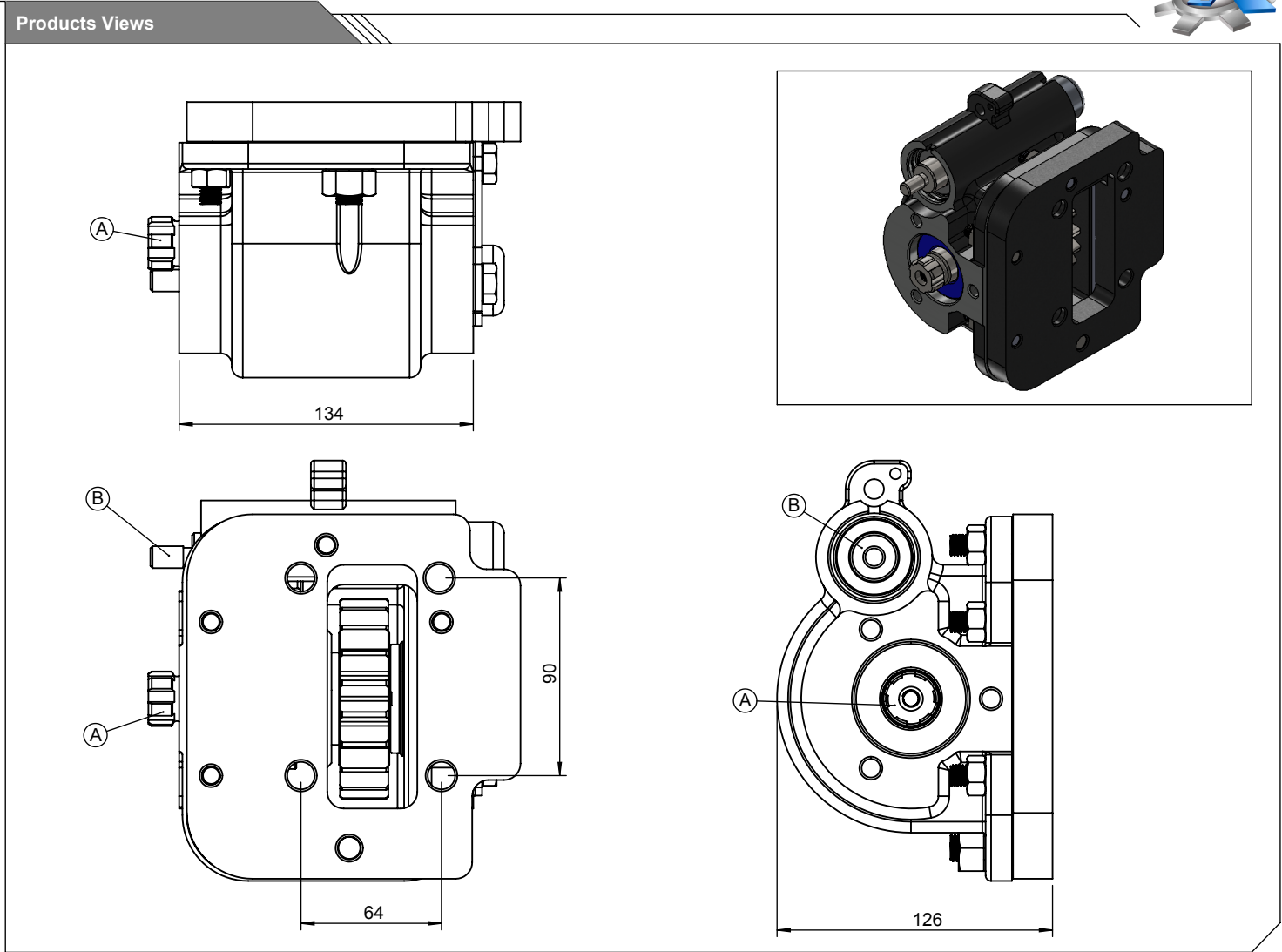


<b>Vehicle Type</b>	NISSAN PKC 210 M / NISSAN UD120 LKA211 N
<b>Gearbox Type</b>	MHS 50T / MHS 60A - 61A / TMH 701 - 702 - 711 - 712 - 761 (7.137)

<b>Product Code</b>	<b>NSN.01.MHS60A.KF</b>
---------------------	-------------------------



<b>Component Details</b>	<p>A : PTO Output (Standard DIN 5463 6X21X25 UNI 3 Bolt)  Direct mounting ISO 4 bolt mtg. adapter  Drive flange</p> <p>B : Mechanic Control</p>
--------------------------	---

<b>Technical Details</b>					
Power	Maximum Torque		Input/Output	Mounting Side	Control Type
<i>kW</i>	<i>Nm</i>	<i>kgm</i>			
23.6	225	23	1/1	Left	Mechanic
				Weight	Sense of Rotation
				10 kg	Same as Input